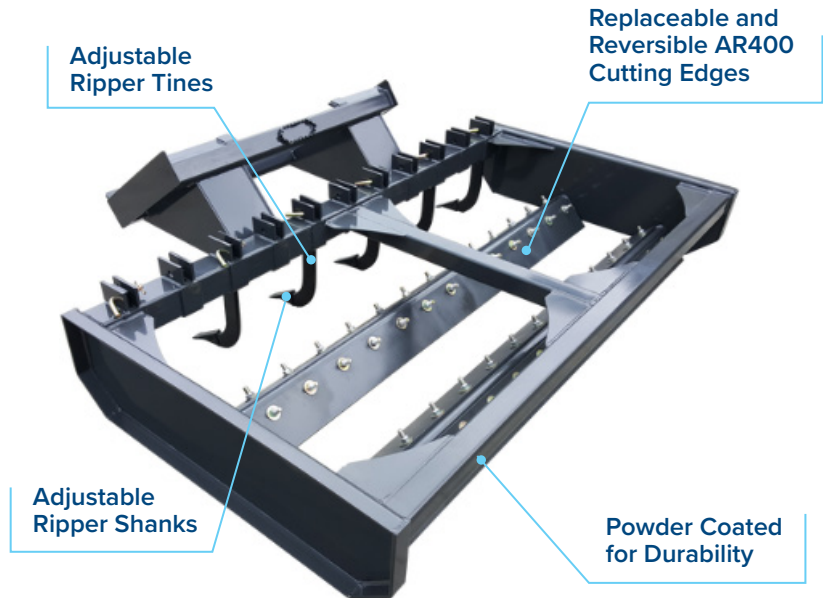


# BOX GRADER WITH RIPPER



The **Blue Diamond® Skid Steer Box Grader with Rippers** is designed for reconditioning gravel roads, driveways, and other surfaces. The adjustable ripper tines break up compacted ground and bring buried material back to the surface, while the cutting edges level and smooth for a consistent finish. Available in 60", 72", 84", and 96" widths, this attachment is American made and finished with a durable powder coat for added protection.

It can be operated in both forward and reverse by removing and rotating the ripper tines. The unit features replaceable AR400 cutting edges and replaceable ripper shanks for long service life in demanding applications. Adjustable tines allow for 6"–10" penetration, and 8" tine spacing ensures even ground engagement across the working width.



Adjustable ripper tines



AR400 cutting edges



Replaceable ripper shanks

## KEY FEATURES

- ◆ Available widths: 60", 72", 84", 96"
- ◆ Replaceable and reversible AR400 cutting edges
- ◆ Replaceable ripper shanks
- ◆ Adjustable ripper tines (6"–10" penetration)
- ◆ 8" tine spacing for consistent grading
- ◆ Operates forward or reverse (rotating tines)
- ◆ Powder coated for durability
- ◆ American made

PART NUMBER	115520	115525	115530	115535
MODEL	60"	72"	84"	96"
TINE SPACING	8"	8"	8"	8"
GROUND PENETRATION	6"-10"	6"-10"	6"-10"	6"-10"
WEIGHT	648 LBS	778 LBS	907 LBS	1,037 LBS

