

DUAL SPINDLE CUTTER

HEAVY DUTY



The **Blue Diamond® Heavy Duty Dual Spindle Cutters** are built for tough mowing and land-clearing applications, handling weeds, grass, and brush up to 3" in diameter. Designed for 42–52 HP tractors and available in 8' and 10' widths, these cutters maximize productivity with wide coverage.

Featuring a dual spindle design with free-swinging blades, they reduce impact shock when hitting obstacles, improving durability and performance. A slip clutch and dual shock couplers protect the driveline and gearboxes, while front and rear chain and driveline guards enhance operator safety.



Replaceable wear skids

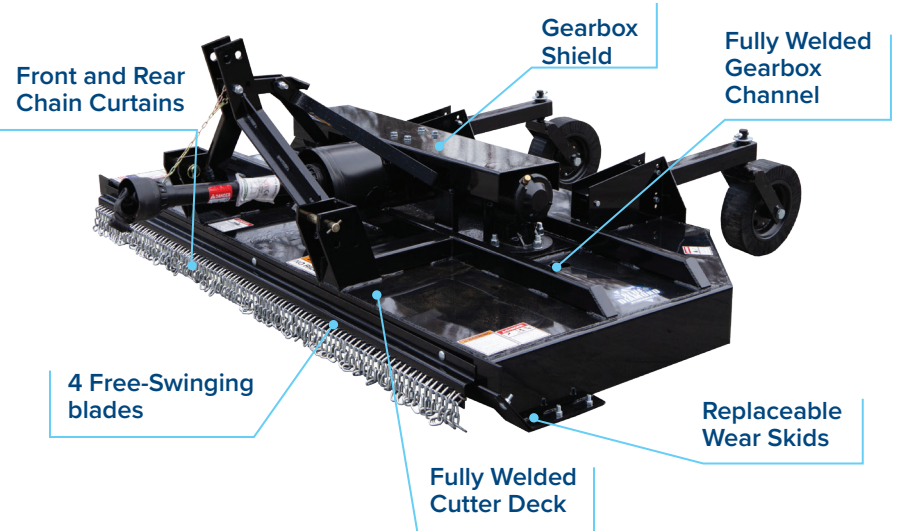


Easy depth adjustment



Front and rear chain curtains

PART NUMBER	403125	403127
MODEL	8' HEAVY DUTY	10' HEAVY DUTY
CUTTING WIDTH	96"	120"
TRANSPORT WIDTH	98"	122"
HITCH	CAT 1 & 2	CAT 1 & 2
MIN. HORSEPOWER	42 HP	52 HP
CUTTING CAPACITY	3"	3"
CUTTING HEIGHT	2"-10"	2"-10"
DECK THICKNESS	10 GA	10 GA
SIDE BANDS	8"	8"
PTO DRIVE SHAFT	SERIES 5 W/SLIP CLUTCH	SERIES 5 W/SLIP CLUTCH
CENTER DRIVE SHAFT	SHOCK COUPLER PROTECTED	SHOCK COUPLER PROTECTED
STUMP JUMPER	5/8" PLATE	5/8" PLATE
CENTER GEARBOX	125 HP	125 HP
OUTBOARD GEARBOXES	100 HP	100 HP
WEIGHT	1,250 LBS	1,405 LBS



KEY FEATURES

- ◆ 96" and 120" cutting widths
- ◆ 3" diameter cutting capacity
- ◆ Compact dual spindle design with four free-swing blades
- ◆ Fully welded cutter deck and gearbox channel
- ◆ Replaceable wear skids and laminated tires
- ◆ Slip clutch and dual shock couplers protect driveline
- ◆ Front and rear chain curtains are standard
- ◆ Category 1 & 2 hitch
- ◆ Comes with replaceable skid shoes and chain guards standard
- ◆ 5-year limited gearbox and 2-year workmanship warranty
- ◆ 8' (403125) Replacement Blade Kit (4 Blades and Hardware) - 503251-KIT-8
- ◆ 10' (403127) Replacement Blade Kit (4 Blades and Hardware) - 503254-KIT-10

